

KMT Aqua-Dyne Pumps Are Used Worldwide For These Water Blasting Applications:

- Marine - Ship/Dock Cleaning
- Oilfield - Hydrostatic Testing & Pipe Cleaning
- Mining - Unclog Machinery
- Automotive - Paint Booth Cleaning
- Aviation - Clean Fluids on Runways
- Power Station - Nuclear Decontamination

...and MUCH MORE!

KMT Aqua-Dyne Bare Shaft Pumps Series 50

(Power Ratings: 5-50 HP/3.7-37 kw)



For Maximum Water Blasting Productivity

KMT Aqua-Dyne Bare Shaft Pumps *The POWER Inside Every PUMPING UNIT!*

The key to KMT Aqua-Dyne's long pump life and hundreds of hours of trouble-free operation are low load packing, special filtration, a closed loop non-drip cooling and water lubrication system for alumina ceramic or tungsten carbide plungers.

The individual lightweight suction and discharge manifolds are easily removed for routine maintenance, and field changing the packing or plungers takes five minutes with no special tools required.

Unique VALVE-IN-LINE Fluid End

- Unique VALVE-IN-LINE Fluid End Design Provides Higher Volumetric Efficiency For Increased Productivity & Lower Operating Costs.

- Superior Design Of The Fluid End Delivers Up To 15% Increase In Productivity, higher volumetric efficiency, lower maintenance, quick packing changes and low initial cost over conventional fluid ends available.

Fluid End

Fluid End – Stainless steel is standard.

Valve & Seats – High strength stainless steel in-line valve system. All valves may be reconditioned by surface grinding.

Plungers – Non-scoring ceramic.

Packing – V-Rings of advanced polymer material are self adjusting, giving long service when used with non-scoring ceramic plungers.

Lubrication – Plungers and packing are lubricated by fluid from manifold.

Manifold – Light weight modular manifold is easily removable for simple maintenance.

Power End

Power Frame – High strength aluminum casting with sturdily ribbed wall sections.

Crankshaft – High strength ductile iron, may extend from either side.

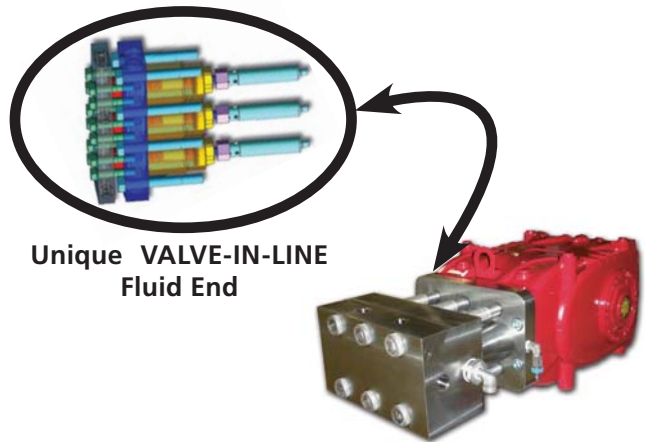
Crankshaft Bearings – Heavy duty taper roller bearings.

Crossheads – Cylindrical type high strength alloy castings. Crosshead wristpins are hardened & ground steel. Extension rods are highly polished stainless steel.

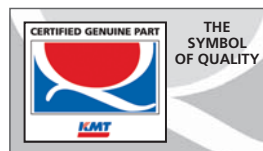
Lubrication – Power end parts are splash lubricated.

Connecting Rods – High strength, solid section, Ductile iron.

Oil Wiper Seals – Self lubricating polymer.



**Bare Shaft Pumps are available in Custom & Standard Pumping Unit Packages*

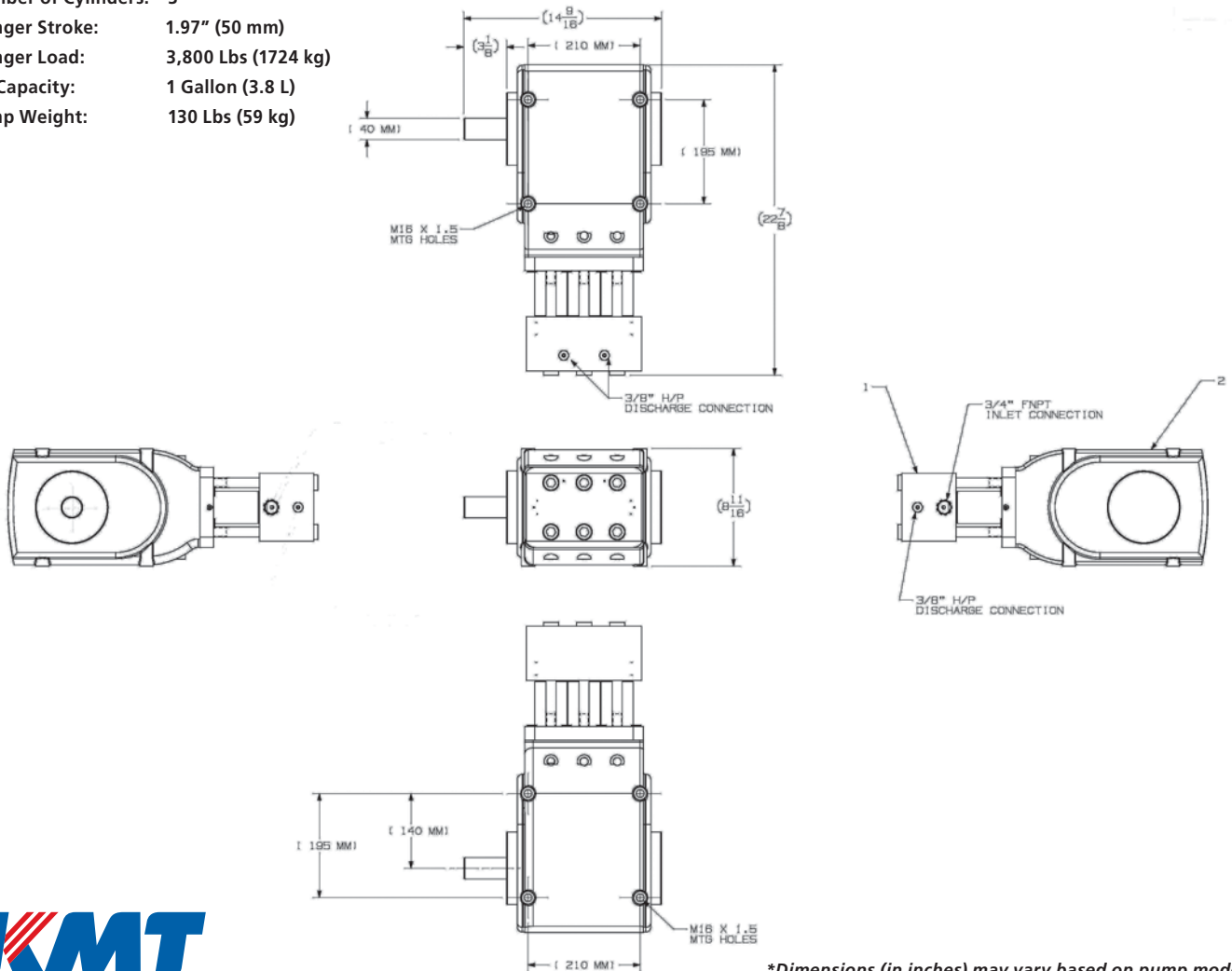


SERIES 50 SPECIFICATIONS

Pressure & Volume are based on 100% Volumetric & Mechanical Efficiency.

SERIES 50 PUMPS										
FLUID END SERIES	PLUNGER DIAMETER INCHES (mm)	MAXIMUM PRESSURE PSI (bar)	FLOW AT POWER - GAL/MIN. (LITER/MIN.)							
			5 HP (3.7 kw)	10 HP (7.5 kw)	15 HP (11.2 kw)	20 HP (14.9 kw)	25 HP (18.6 kw)	35 HP (26.1 kw)	50 HP (37.1 kw)	
VHP	5/16 (7.94)	40,000 (2758)	0.17 (.64)	0.35 (1.32)	0.52 (1.97)	0.69 (2.61)	0.86 (3.25)	1.21 (4.58)	1.73 (6.55)	
	3/8 (9.52)	34,406 (2372)	0.25 (.95)	0.50 (1.89)	0.75 (2.84)	1.00 (3.78)	1.25 (4.73)	1.74 (6.59)	2.49 (9.42)	
	7/16 (11.11)	25,278 (1743)	0.34 (1.29)	0.68 (2.57)	1.02 (3.86)	1.36 (5.15)	1.70 (6.43)	2.37 (8.97)	3.39 (12.83)	
HP	1/2 (12.70)	19,353 (1334)	0.44 (1.66)	0.89 (3.37)	1.33 (5.03)	1.77 (6.70)	2.21 (8.36)	3.10 (11.73)	4.43 (16.77)	
	9/16 (14.29)	15,291 (1054)	0.56 (2.12)	1.12 (4.24)	1.68 (6.36)	2.24 (8.48)	2.80 (10.60)	3.92 (14.84)	5.60 (21.20)	
	5/8 (15.87)	12,386 (854)	0.69 (2.61)	1.38 (5.22)	2.08 (7.87)	2.77 (10.48)	3.46 (13.10)	4.84 (18.32)	6.92 (26.19)	
	11/16 (17.46)	10,236 (706)	0.84 (3.18)	1.67 (6.32)	2.51 (9.50)	3.35 (12.68)	4.19 (15.86)	5.86 (22.18)	8.37 (31.68)	
LP	3/4 (19.05)	8,601 (593)	1.00 (3.78)	1.99 (7.53)	2.99 (11.32)	3.99 (15.10)	4.98 (18.85)	6.97 (26.38)	9.96 (37.70)	
	7/8 (22.22)	6,319 (436)	1.36 (5.15)	2.71 (10.26)	4.07 (15.41)	5.42 (20.52)	6.78 (25.66)	9.49 (35.92)	13.56 (51.33)	
	1 (25.4)	4,838 (334)	1.77 (6.70)	3.54 (13.40)	5.31 (20.10)	7.09 (26.84)	8.86 (33.54)	12.40 (46.94)	17.71 (67.04)	
	1-1/8 (28.57)	3,823 (264)	2.24 (8.48)	4.48 (16.96)	6.73 (25.47)	8.97 (33.95)	11.21 (42.43)	15.69 (59.39)	22.42 (84.87)	
	1-1/4 (31.75)	3,097 (214)	2.77 (10.48)	5.54 (20.97)	8.30 (31.42)	11.07 (41.90)	13.84 (52.39)	19.37 (73.32)	27.68 (104.78)	

- Rated Power: Up to 50 HP (37kw)
- Number of Cylinders: 3
- Plunger Stroke: 1.97" (50 mm)
- Plunger Load: 3,800 Lbs (1724 kg)
- Oil Capacity: 1 Gallon (3.8 L)
- Pump Weight: 130 Lbs (59 kg)



*Dimensions (in inches) may vary based on pump model



KMT Aqua-Dyne Inc.

635 W. 12th Street • Baxter Springs, KS 66713
 Tel.: 1-620-856-2151 • Fax: 1-620-856-5050
 www.aqua-dyne.com • sales@aqua-dyne.com