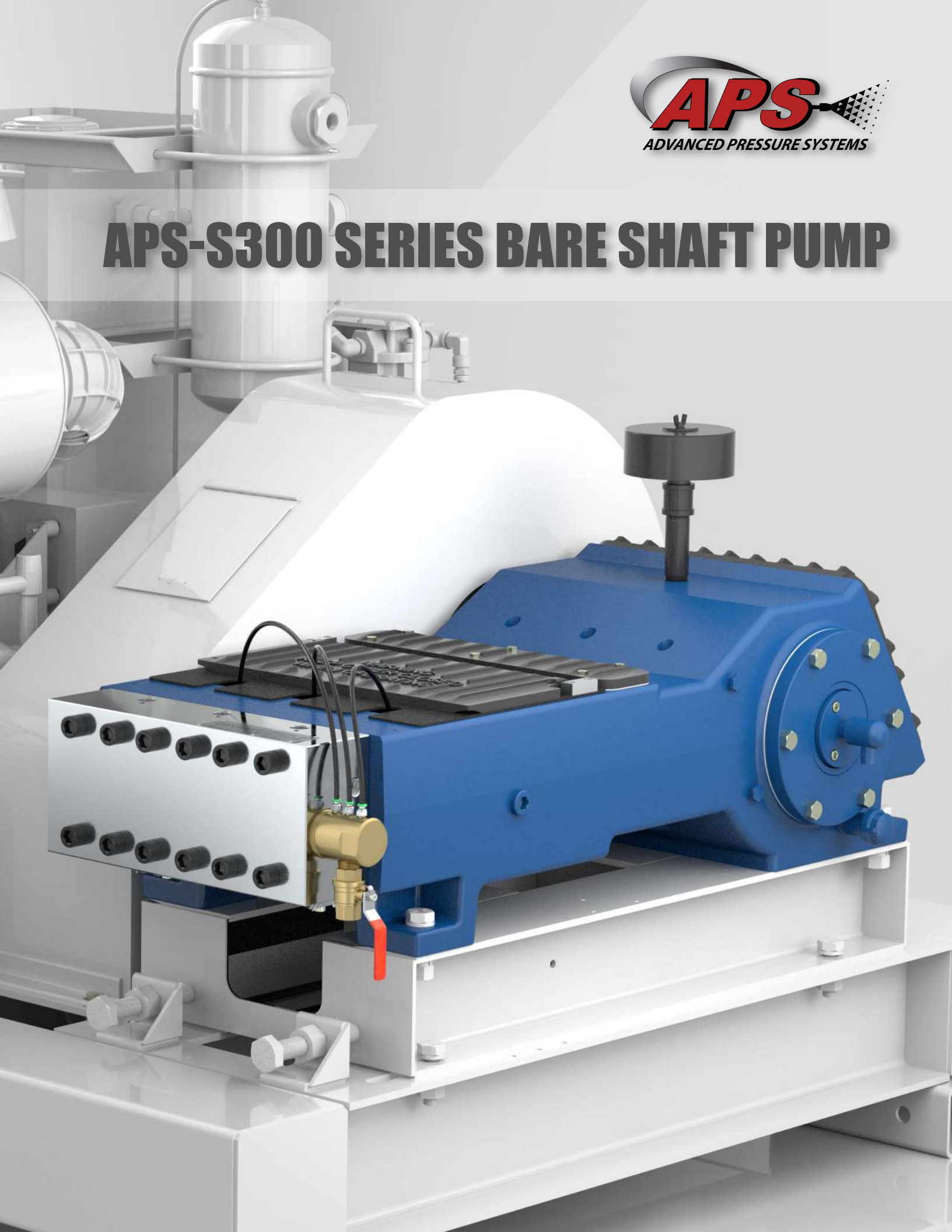




# APS-S300 SERIES BARE SHAFT PUMP



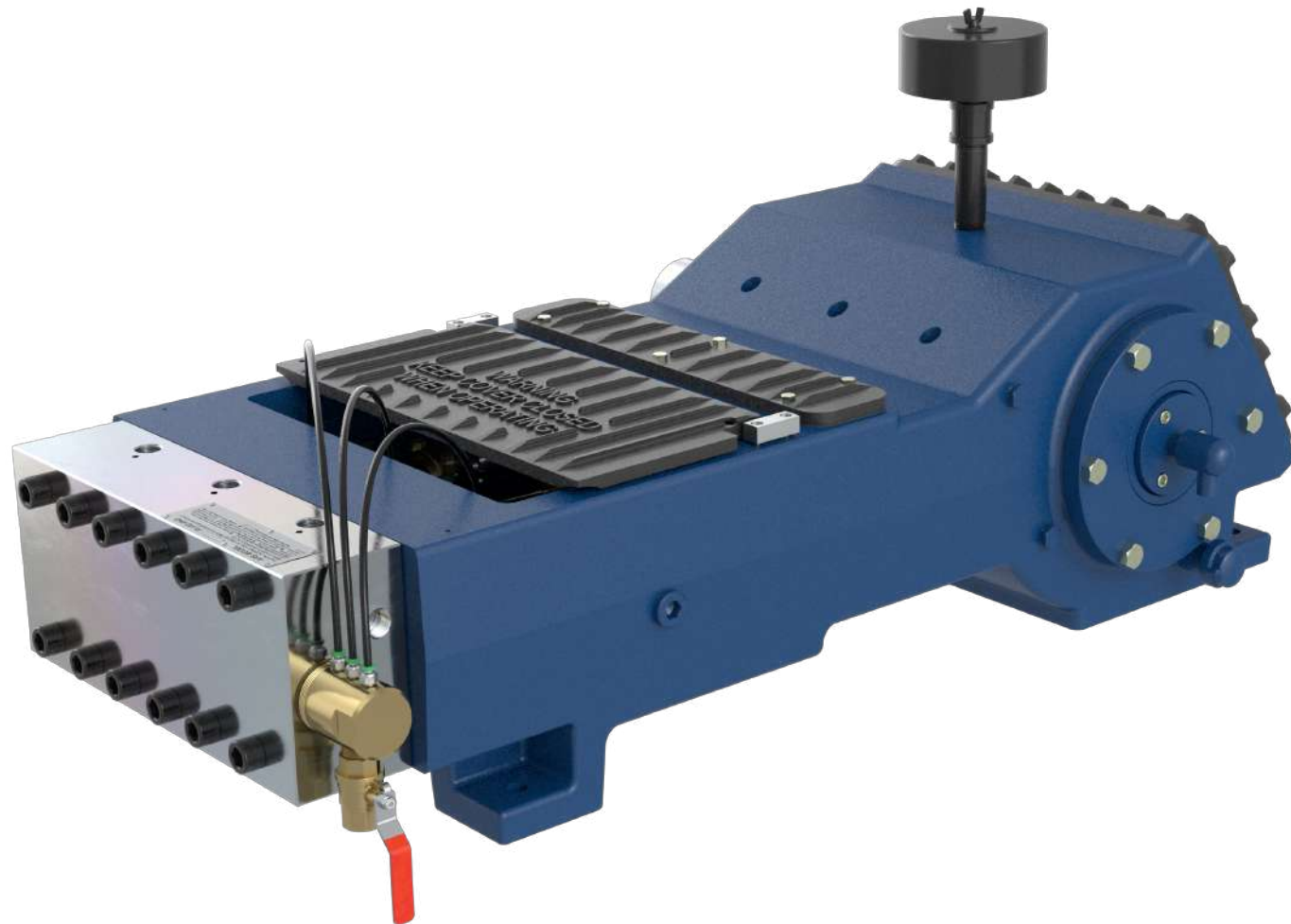
## APS-S300 SERIES BARE SHAFT PUMPS

Advanced Pressure Systems has enhanced the power end from its Aqua-Dyne affiliate, a proven design already, by upgrading the power frame and cross heads to a much stronger material, ductile iron. Also, now our bare shaft pumps feature a crankshaft machined from billet and are drilled for forced lubrication.

We will offer two models, the **APS-S300-15** and the **APS-S300-20**, capable of handling pressures to 15,000 and 20,000 psi respectively. Both bare shaft pumps feature hinged manifolds for easy access to the quick change valve cartridges, plungers and stuffing boxes.

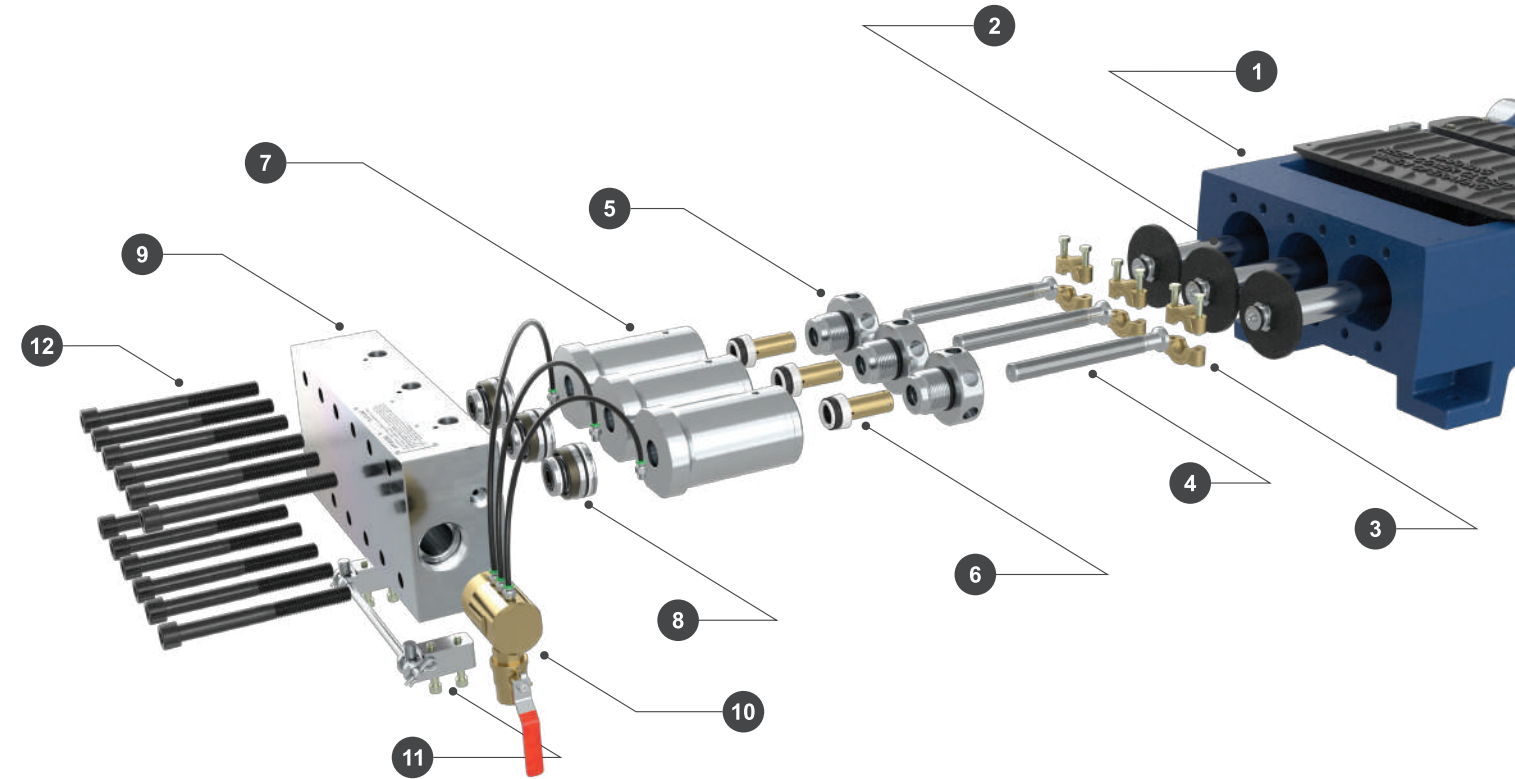
### FEATURES:

- Rated to 300 HP
- Flow rates: 20 GPM @ 20,000 psi / 48 GPM @ 9,000 psi
- Crankshaft machined from billet, with induction hardened journals
- Forced lubrication for crankshaft
- High strength ductile iron power frame
- Hinged cover to pump well
- Quick change convertible manifolds from 15,000 to 20,000 psi
- Hinged trunnion assembly for swing down manifold
- Quick change cartridge assembly for suction and discharge valves

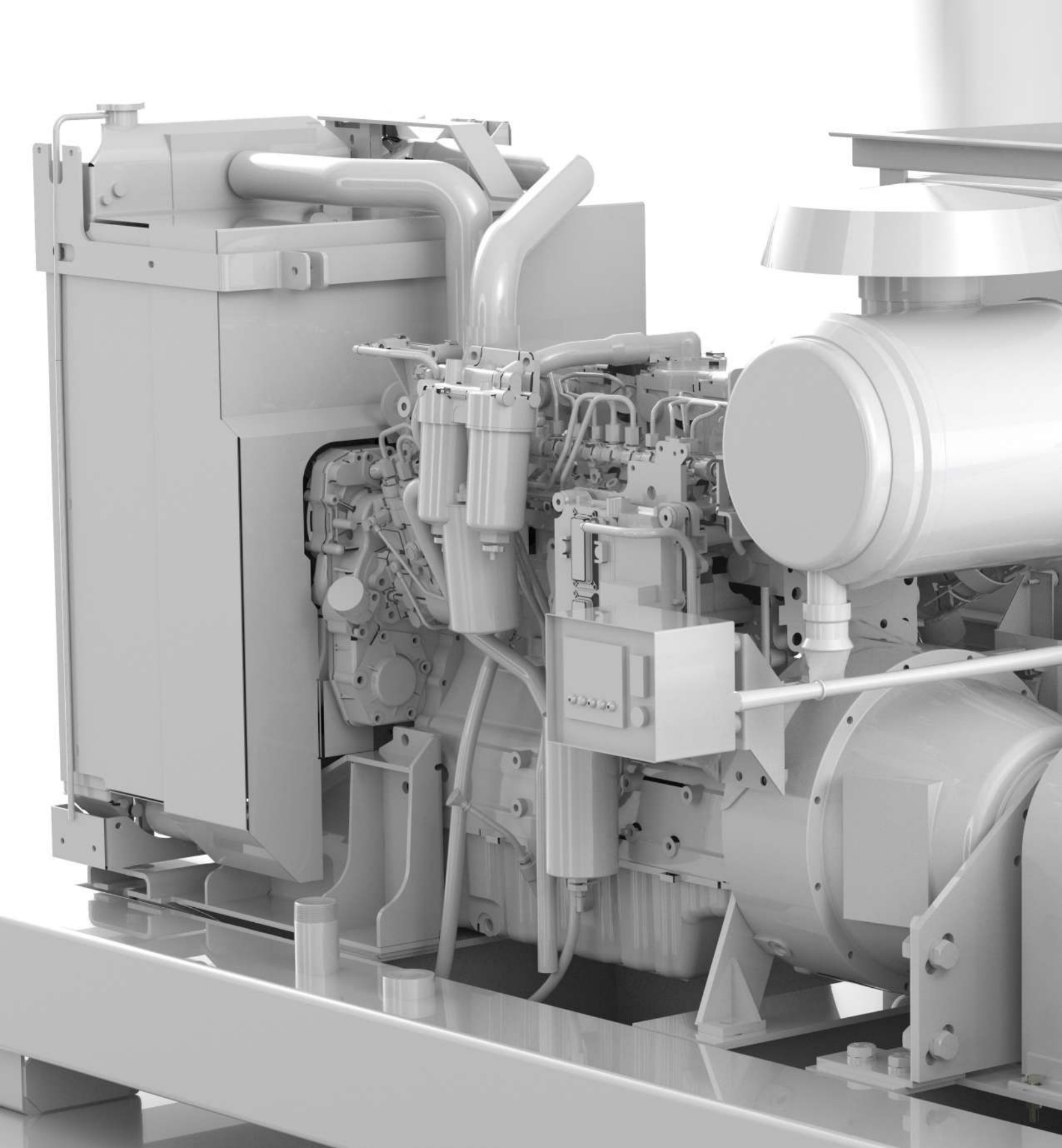


## APS-S300 SERIES BARE SHAFT PUMPS

Fluid End Components for APS-S300-15 & APS-S300-20 Bare Shaft Pumps



ITEM NO.	FLUID END COMPONENTS FOR APS-S300-15 & APS-S300-20 BARE SHAFT PUMPS	QUANTITY
1	POWER END ASSEMBLY	1
2	PLUNGER ADAPTER (PONY ROD)	3
3	PLUNGER COUPLING	3
4	PLUNGER SIZE TO SUIT DESIRED PRESSURE & FLOW	3
5	GLAND NUT TO SUIT PLUNGER	3
6	PACKING SET TO SUIT PLUNGER & PRESSURE	3
7	STUFFING BOX TO SUIT PLUNGER SIZE	3
8	VALVE CARTRIDGE TO SUIT PRESSURE & FLOW	3
9	MANIFOLD	1
10	LUBE HARNESS	1
11	TRUNNION / HINGE ASSEMBLY	1
12	MANIFOLD MOUNTING BOLTS	12



**ADVANCED PRESSURE SYSTEMS**

701 South Persimmon Street | Suite J | Tomball, TX 77375

Phone: (281) 290-9950 | Fax: (281) 290-9952

Email orders: [sales-team@advancedpressuresystems.com](mailto:sales-team@advancedpressuresystems.com)

Website: <https://www.advancedpressuresystems.com>